

* SELECTED VALUE
NOMINAL SHOWN

REVISIONS		
No	Date	By
1		
2		
3		
4		
5		

QEI CORPORATION

STEREO MONITOR
PILOT DETECTOR ASS'Y A8

Used on: MODEL 771

Drawn By NAL

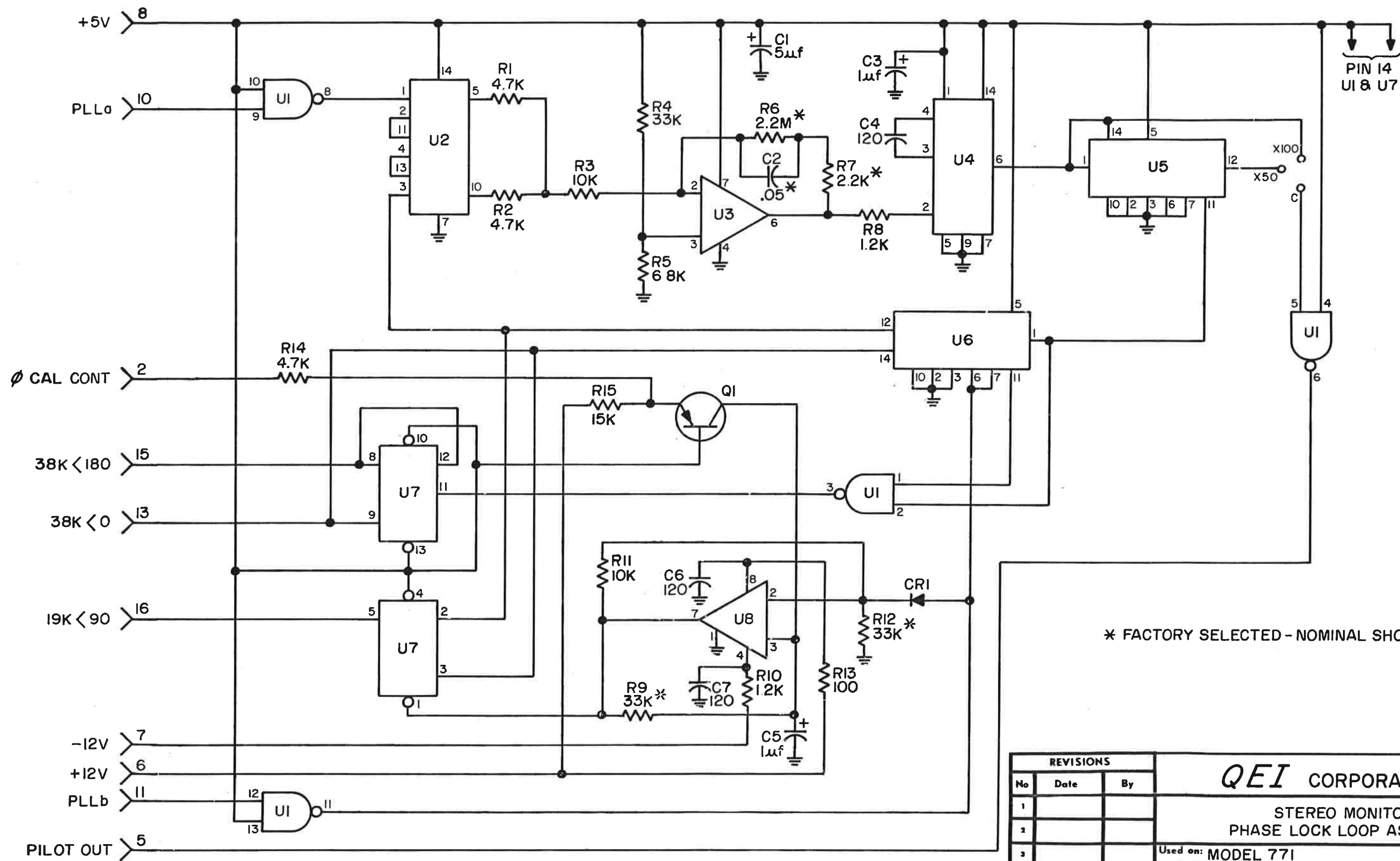
Date 12-1-75

Drawing No.

Approved

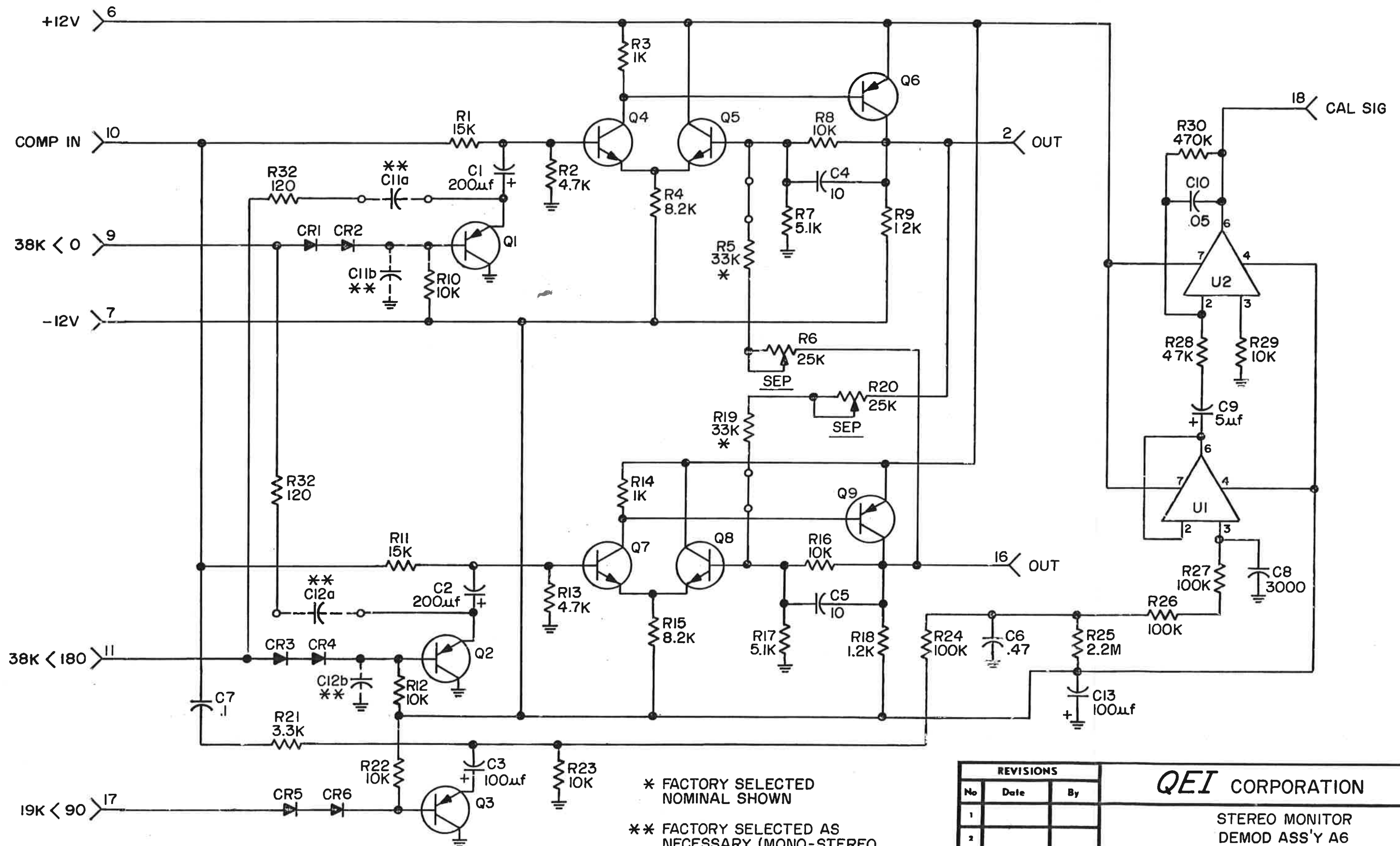
Date

7712002



* FACTORY SELECTED - NOMINAL SHOWN

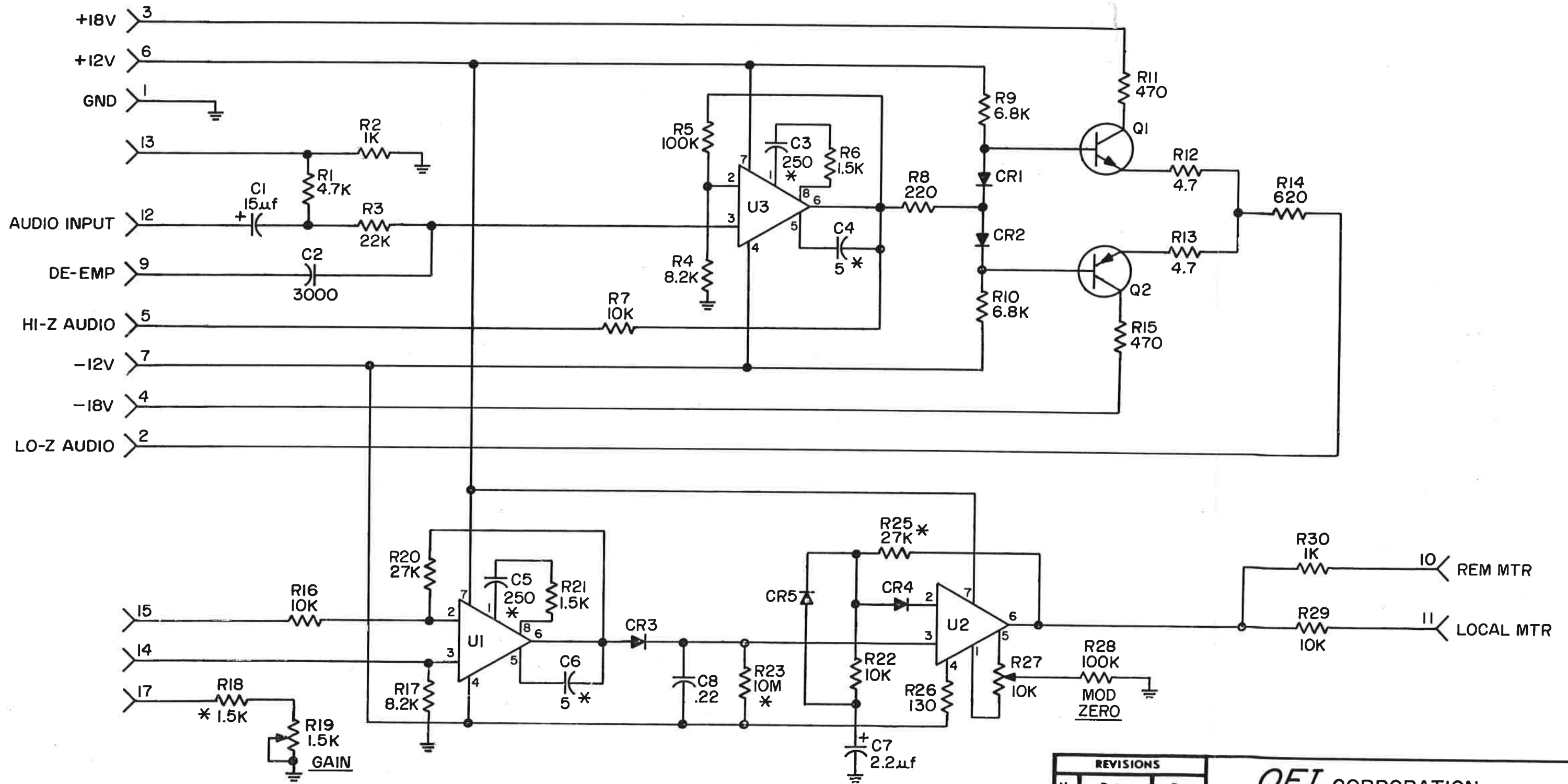
REVISIONS			QEI CORPORATION		
No	Date	By	STEREO MONITOR PHASE LOCK LOOP ASS'Y A7		
1			Used on: MODEL 771		
2			Drawn By	Date	Drawing No.
3			NAL	12-5-75	7712003
4			Approved	Date	
5					



* FACTORY SELECTED
NOMINAL SHOWN

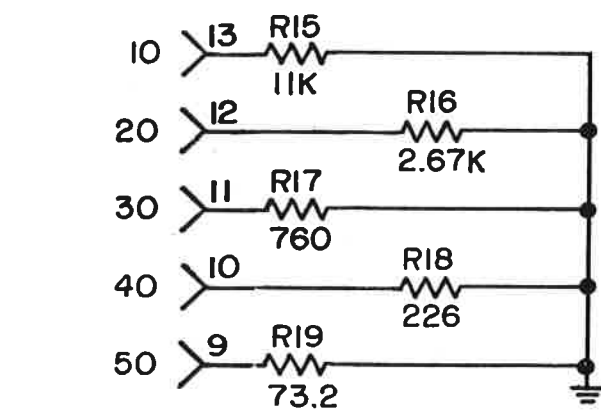
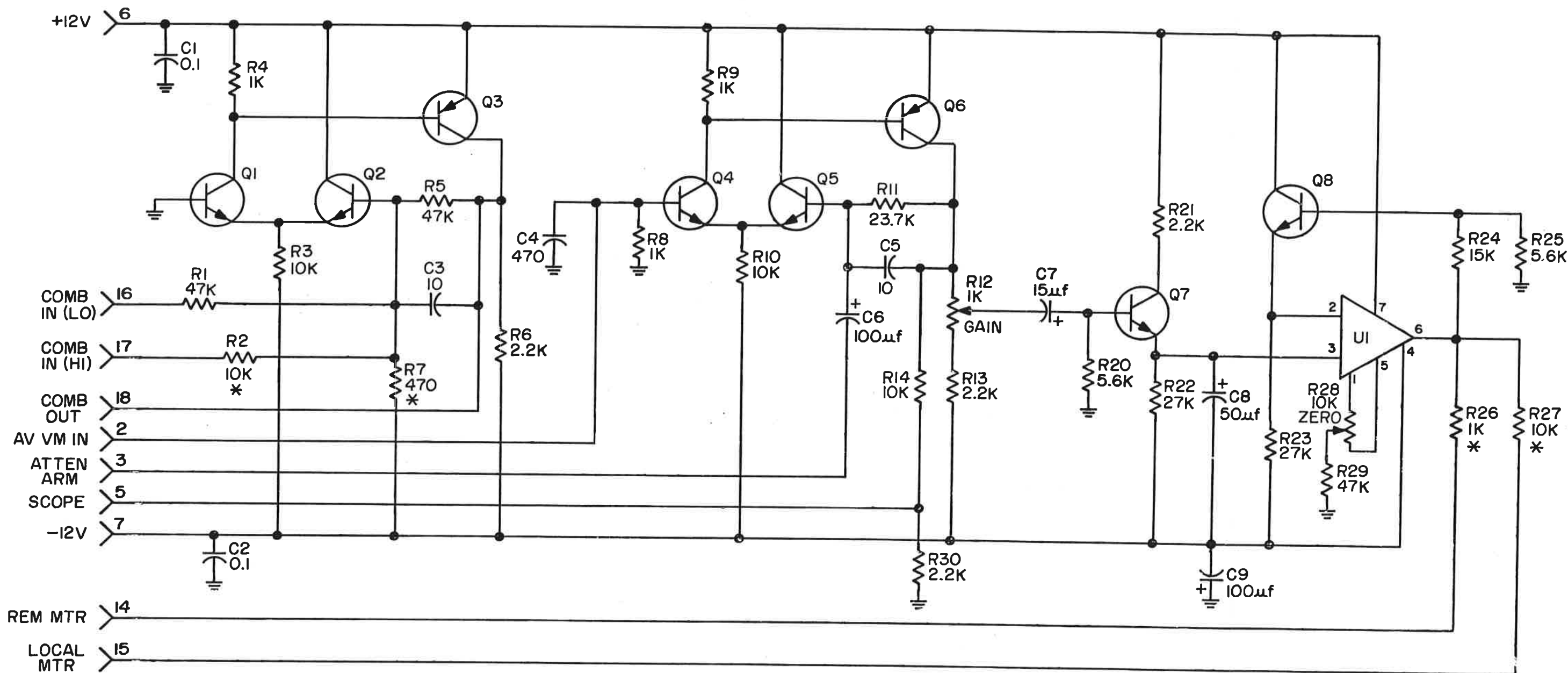
** FACTORY SELECTED AS
NECESSARY (MONO-STEREO
BALANCE)

REVISIONS			QEI CORPORATION	
No	Date	By		
1			STEREO MONITOR DEMOD ASS'Y A6	
2			Used on: MODEL 771	
3			Drawn By	Date
4			NAL	12-4-75
5			Approved	Date
				Drawing No.
				7712005



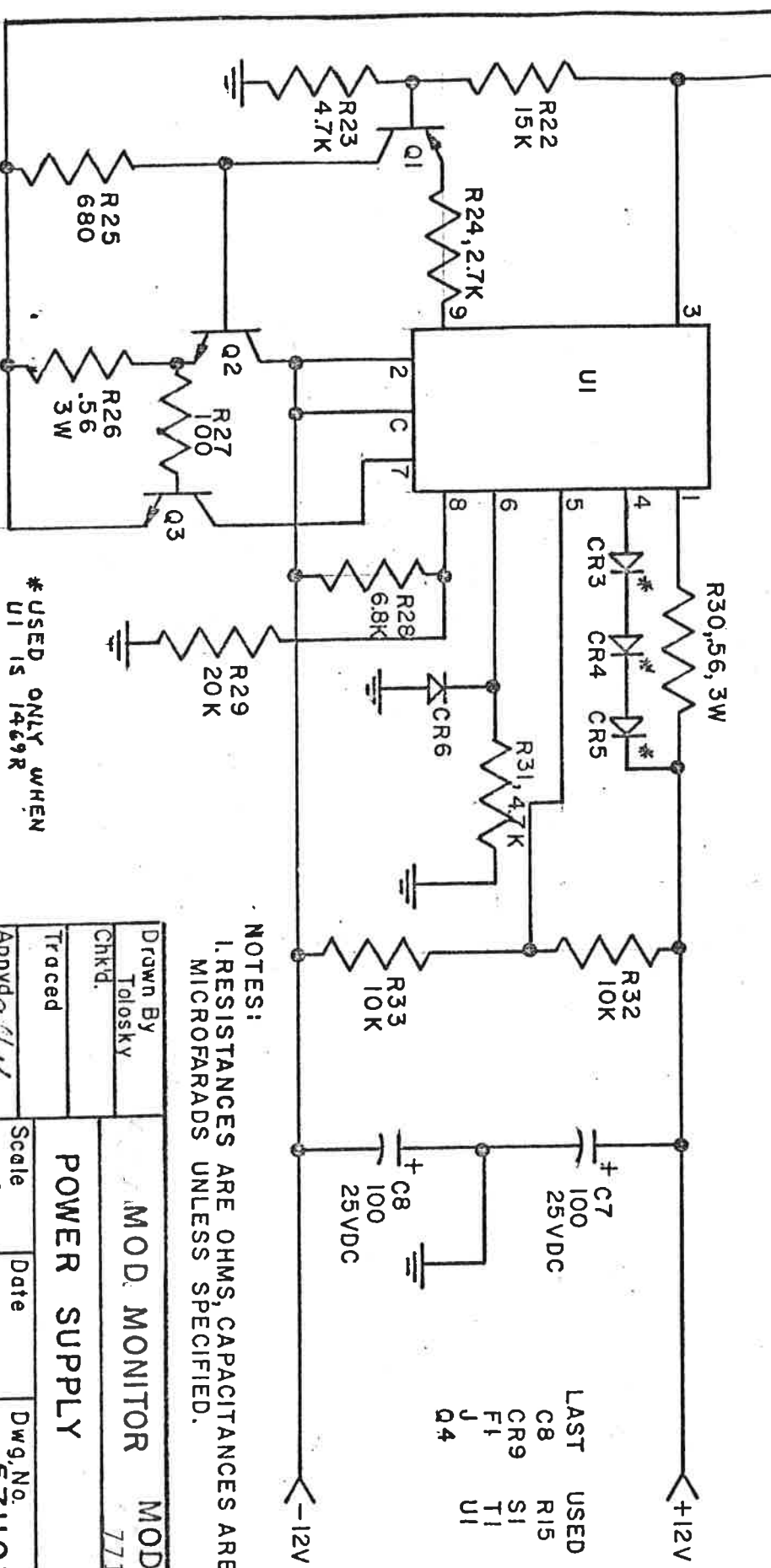
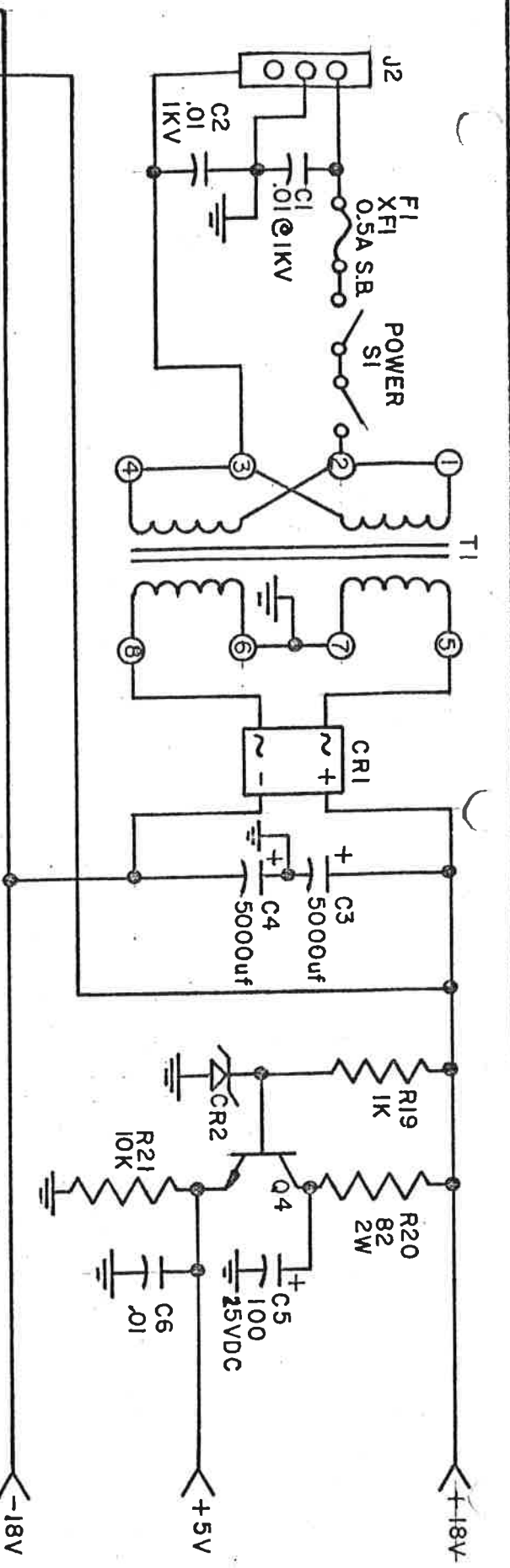
* FACTORY SELECTED -
NOMINAL SHOWN

REVISIONS			QEI CORPORATION		
No	Date	By	STEREO MONITOR MON. AMP & PK. MTR. ASS'Y A3-5		
1			Used on: MODEL 771		
2			Drawn By	Date	Drawing No.
3			NAL	11-26-75	5711014B
4			Approved	Date	
5					



* FACTORY SELECTED NOMINAL SHOWN.

REVISIONS			QEI CORPORATION		
No	Date	By	STEREO MONITOR VOLTMETER ASS'Y A2-4		
1			Used on: MODEL 771		
2			Drawn By	Date	11-25-75
3			Approved	Date	
4					Drawing No.
5					7712004



* USED ONLY WHEN U1 IS 1469R

NOTES:
1. RESISTANCES ARE OHMS, CAPACITANCES ARE MICROFARADS UNLESS SPECIFIED.

LAST	USED
C8	R15
CR9	S1
F1	T1
J	U1
Q4	

Drawn By Tollosky	MOD. MONITOR	MODEL 771
Traced	POWER SUPPLY	
Appvd. <i>[Signature]</i>	Scale <i>[Signature]</i>	Date 1-3-72
	Dwg. No.	5711010